



Revisionstation

# CPA

## Critical Path Analysis

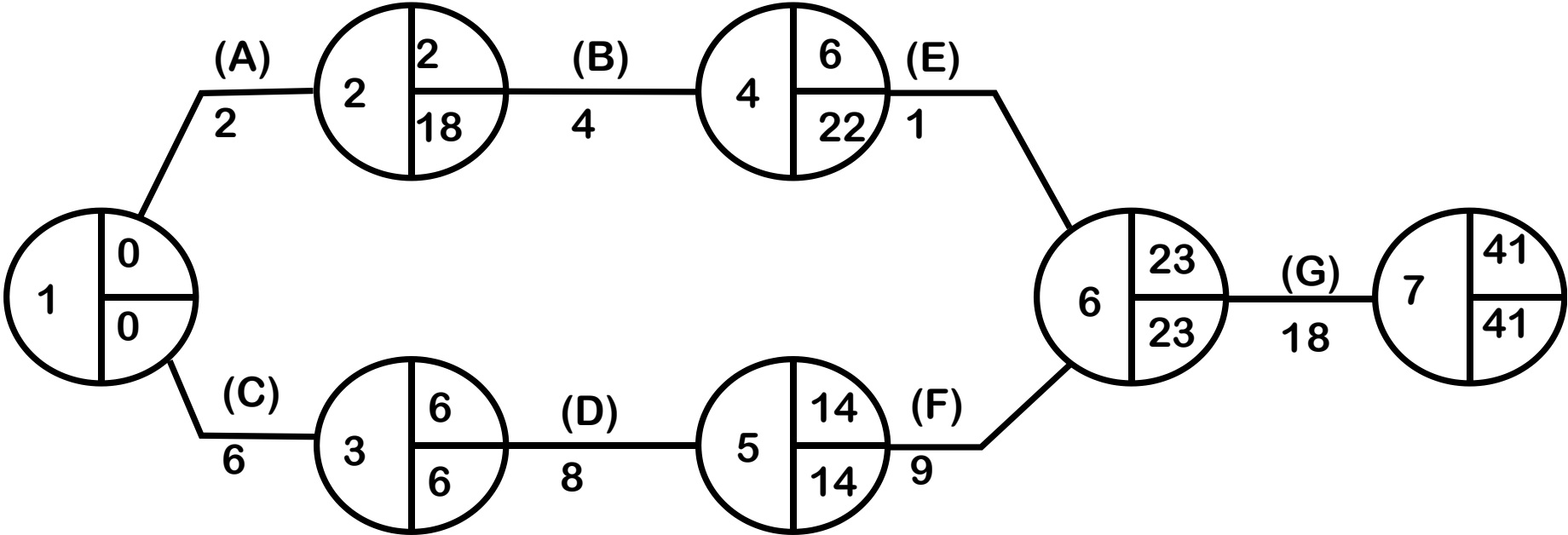


Tricky Topics  
REVISIONSTATION

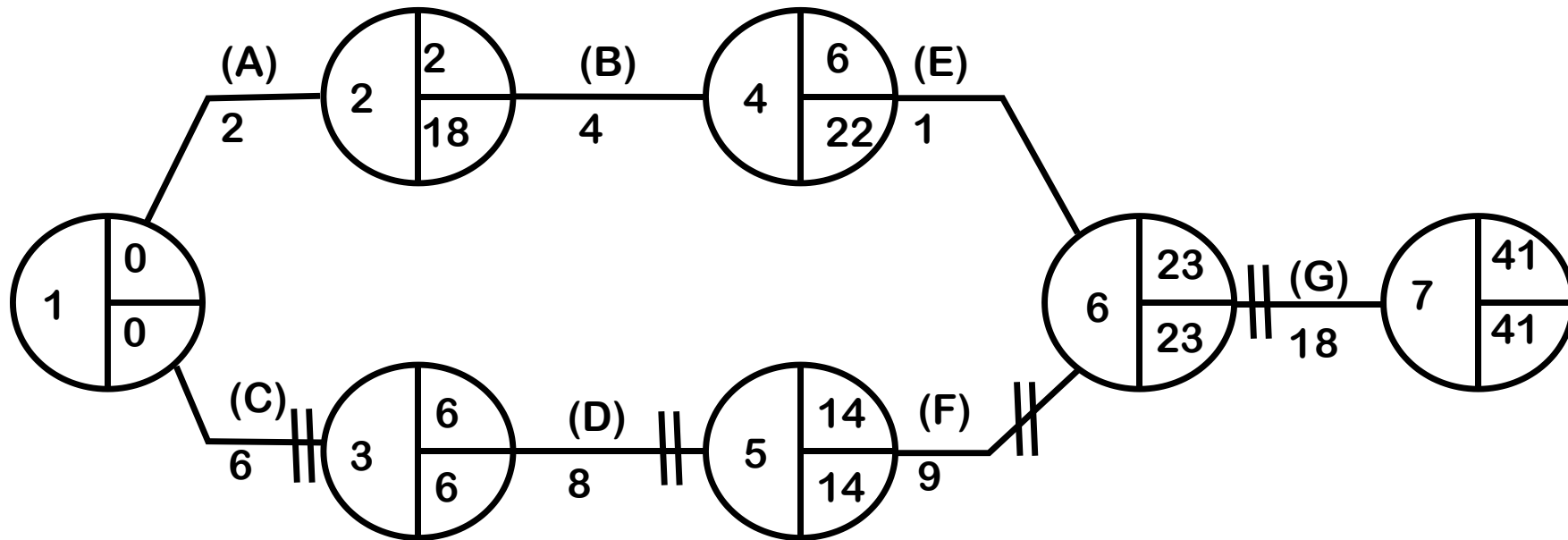
Answers



**Answer to 'CPA walkthrough' on page 4**



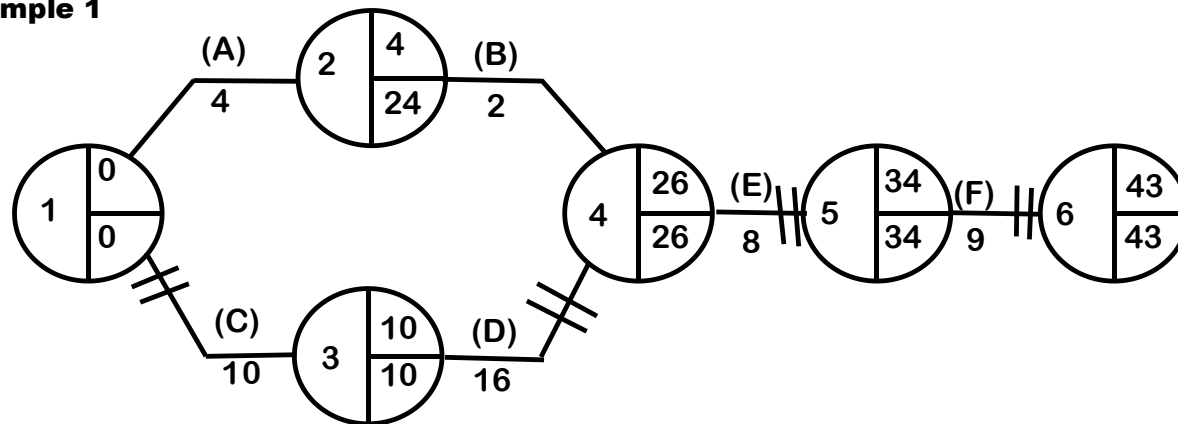
**Answer to 'How to identify the critical path walkthrough' on page 5**





# Answers to example questions

**Example 1**



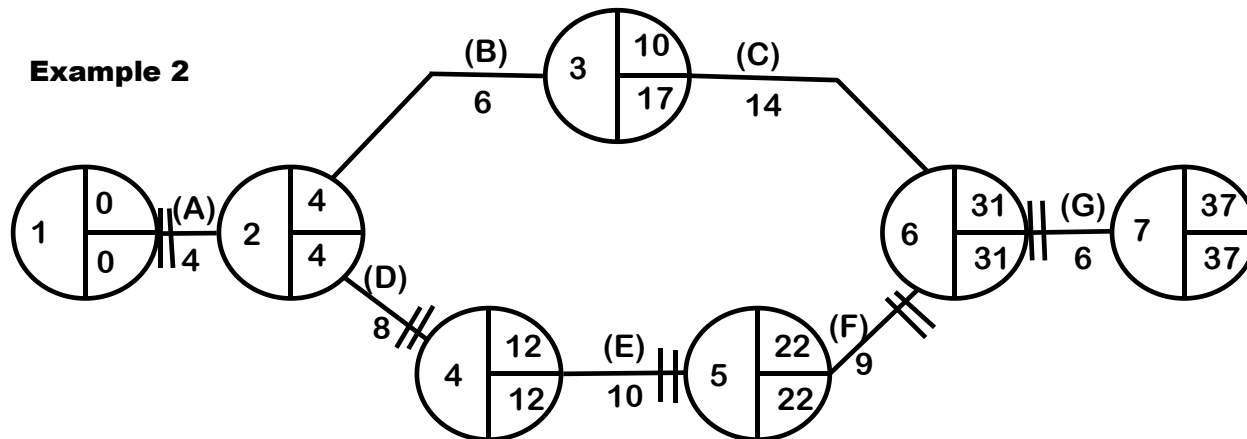
**Critical path in example 1 is:**

**C D E F**

**Total float time = 20**

**Activity A:  $24 - 4 - 0 = 20$**

**Example 2**



**Critical path in example 2 is:**

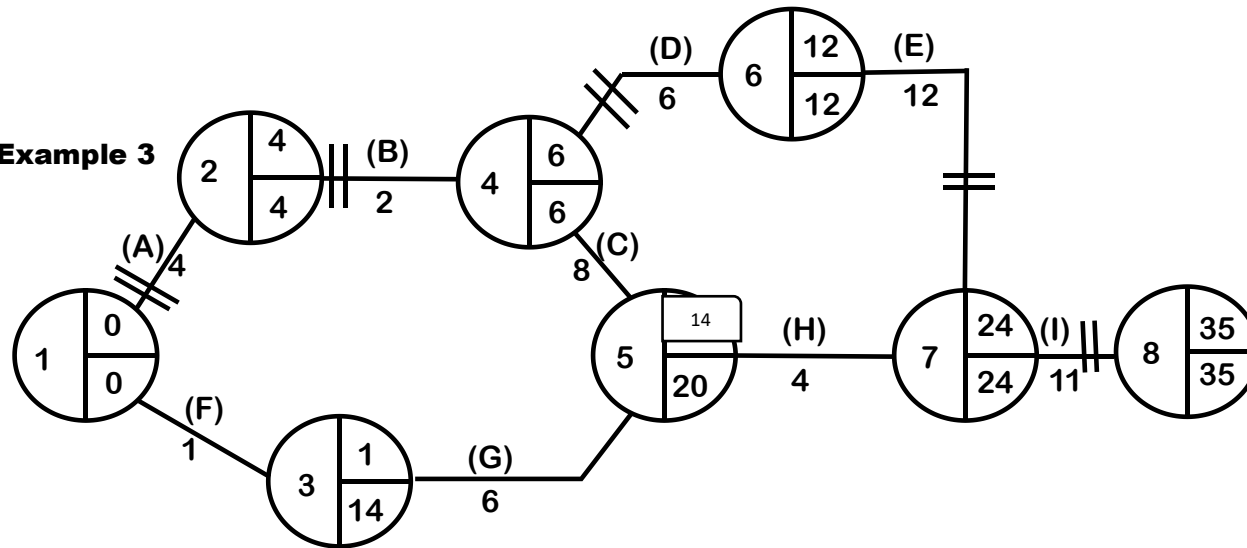
**A D E F G**

**Total float time = 7**

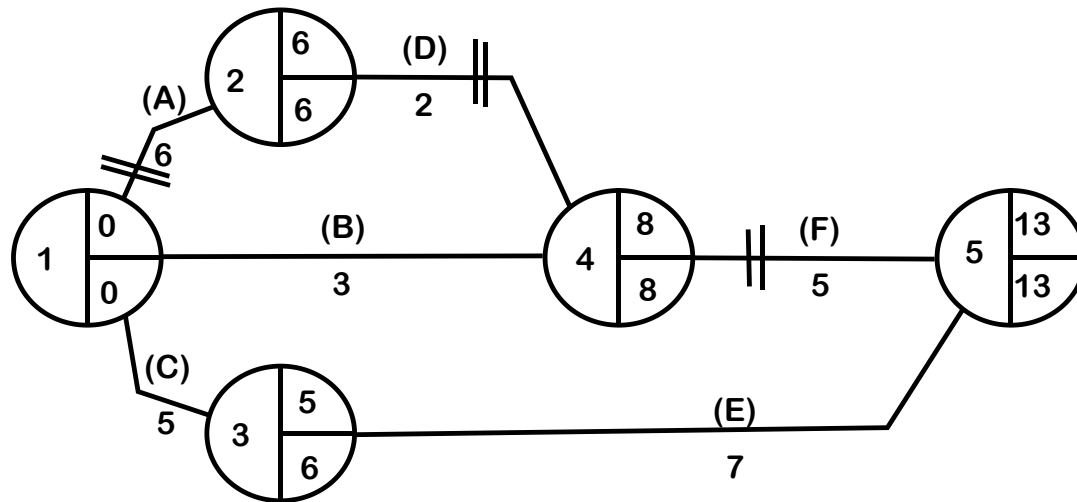
**Activity B:  $17 - 6 - 4 = 7$**



**Example 3**



**Example 4**



**Critical path in example 3 is:**

**A B D E I**

**Total float time = 32**

**Activity F:  $14 - 1 - 0 = 13$**

**Activity C:  $20 - 8 - 6 = 6$**

**Activity G:  $20 - 6 - 1 = 13$**

**Critical path in example 4 is:**

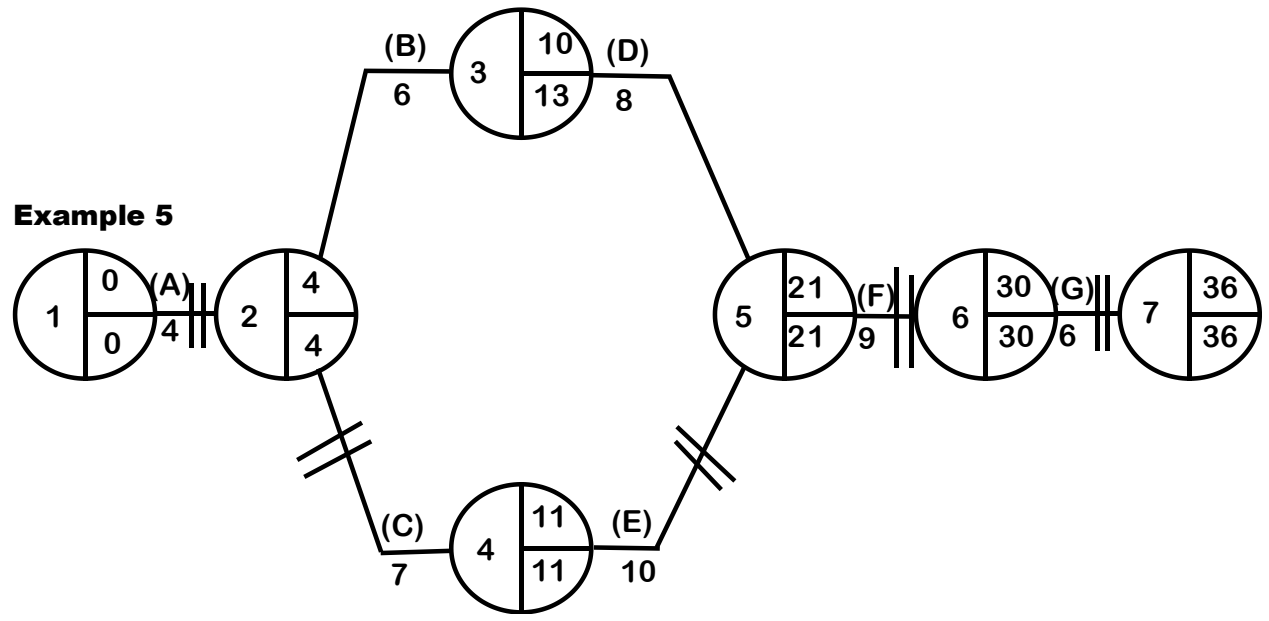
**A D F**

**Total float time = 1**

**Activity C:  $6 - 5 - 0 = 1$**

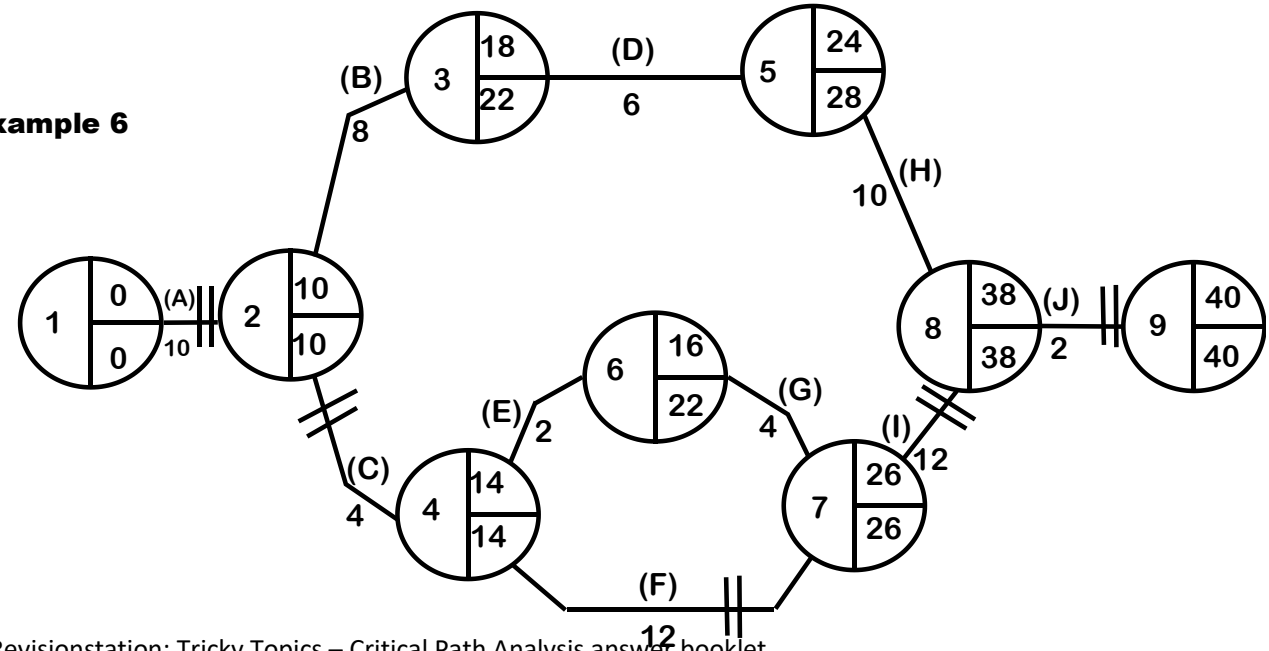


**Example 5**



**Critical path in example 5 is:**  
**A C E F G**  
**Total float time = 3**  
**Activity B:  $13 - 6 - 4 = 3$**

**Example 6**



**Critical path in example 6 is:**  
**A C F I J**  
**Total float time = 14**  
**Activity B:  $22 - 8 - 10 = 4$**   
**Activity D:  $28 - 6 - 18 = 4$**   
**Activity E:  $22 - 2 - 14 = 6$**