

Centre Number						Candidate Number				
Surname										
Other Names										
Candidate Signature										

For Examiner's Use	
Examiner's Initials	
Question	Mark
1	
2	
3	
4	
5	
6	
7	
8	
9	
10	
11	
12	
TOTAL	



General Certificate of Education  
Advanced Subsidiary Examination  
January 2011

# Computing

# COMP2

## Unit 2 Computer Components, The Stored Program Concept and the Internet

Thursday 13 January 2011 1.30 pm to 2.30 pm

**You will need no other materials**  
You must **not** use a calculator.

### Time allowed

- 1 hour

### Instructions

- Use black ink or black ball-point pen.
- Fill in the boxes at the top of this page.
- Answer **all** questions.
- You must answer the questions in the spaces provided. Do not write outside the box around each page or on blank pages.
- Do all rough work in this book. Cross through any work you do not want to be marked.

### Information

- The marks for questions are shown in brackets.
- The maximum mark for this paper is 60.
- The use of brand names will **not** gain credit.
- Question 5 should be answered in continuous prose. In this question you will be marked on your ability to:
  - use good English
  - organise information clearly
  - use specialist vocabulary where appropriate.



J A N 1 1 C O M P 2 0 1

Answer **all** questions in the spaces provided.

1 The internal components of a computer system are connected together by three buses.

1 (a) State the name of the only unidirectional bus.

.....  
 (1 mark)

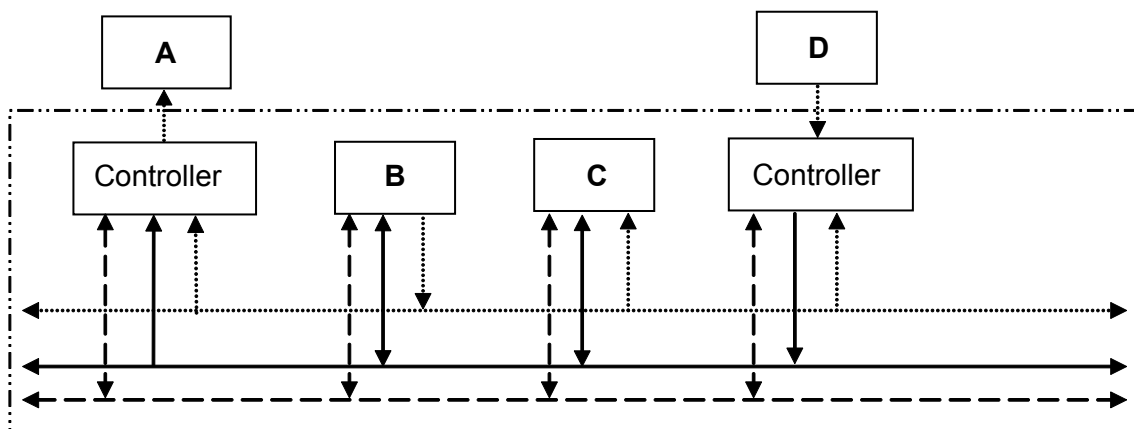
1 (b) If a computer has a 32-bit address bus, of 32 lines, it can access **4 gigabytes** of main memory for all forms of internal use.

How many additional lines does the address bus need for it to be capable of addressing up to **8 gigabytes** of main memory? Write your answer in the box below.

(1 mark)

1 (c) **Figure 1** shows how components of a computer system can be connected.

**Figure 1**



Write, in the corresponding space below, the correct name for each of **A**, **B**, **C** and **D** from **Figure 1** using only the following:

Processor, Address Bus, Data Bus, Main Memory, Keyboard and Visual Display Unit

**A** .....

**B** .....

**C** .....

**D** .....

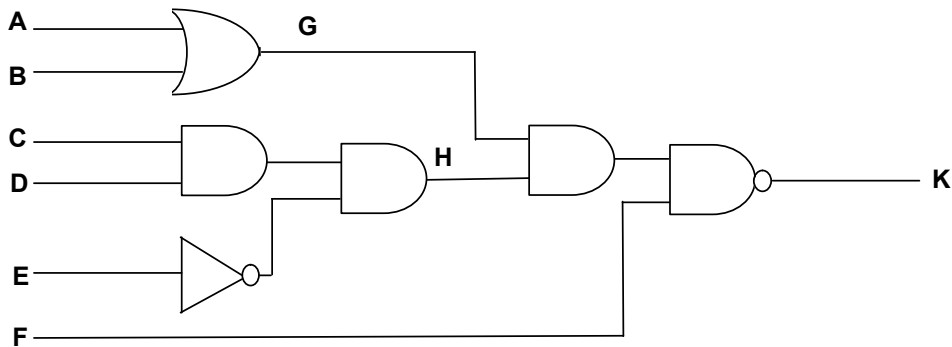
(4 marks)

6
---



2 Figure 2 shows a logic circuit.

Figure 2



Complete the truth table for the inputs that have been given.

Inputs						G	H	K
A	B	C	D	E	F			
0	0	1	1	0	0			
0	1	1	1	0	1			
1	0	1	1	1	0			
1	1	1	1	1	1			

(3 marks)

3
---

3 Write the following Boolean expressions in their simplest forms.

3 (a)  $\overline{\overline{A} \cdot \overline{B}}$

..... (1 mark)

3 (b)  $B + B \cdot \overline{C}$

..... (1 mark)

3 (c)  $A \cdot B + A \cdot \overline{B}$

..... (1 mark)

3 (d)  $A \cdot (B+1)$

..... (1 mark)

4
---

Turn over ▶



4 Some of the assembly language instructions supported by a simple microprocessor are:

<b>Assembly Language</b>
STORE
LOAD
ADD

Examples of the use of these assembly language instructions are:

STORE	5	Copy the contents of the accumulator into memory location 5
LOAD	5	Copy the contents of memory location 5 into the accumulator
ADD	2	Add the contents of memory location 2 to the current contents of the accumulator, storing the result in the accumulator

4 (a) Write into the table below the opcode and the operand parts of the following instruction.

LOAD     5

<b>Operand</b>	
<b>Opcode</b>	

(1 mark)

4 (b) Write an assembly language program, using the instructions given above, that adds the contents of memory locations 7, 8 and 3, storing the answer in memory location 21.

.....

.....

.....

.....

.....

.....

.....

.....

(3 marks)

4
---





6 (a) One type of software can be described by the phrase "performs tasks needed to operate the hardware".

What type of software is being described?

.....  
(1 mark)

6 (b) (i) Explain what is meant by *general purpose application software*.

.....  
.....  
(1 mark)

6 (b) (ii) Give **one** example of general purpose application software.

.....  
(1 mark)

6 (c) An IT manager needs to buy software to manage stock control.

6 (c) (i) Why might the manager choose a special purpose application package rather than a bespoke solution? Give **two** reasons.

1.....  
.....  
2.....  
.....  
(2 marks)

6 (c) (ii) Although special purpose application packages for stock control are available, explain why the IT manager might choose to order a bespoke piece of software.

.....  
.....  
(1 mark)

6



7 A programmer could use either an assembly language or a high level language to code programs for sale.

7 (a) Give **two** limitations of using assembly language to code a program.

1.....  
.....  
2.....  
.....

(2 marks)

7 (b) If a program is coded using a high level language, then either a compiler or an interpreter will need to be used.

Give **two** advantages of using a compiler, rather than an interpreter, to prepare a runnable program ready for sale.

1.....  
.....  
.....  
2.....  
.....  
.....

(2 marks)

4

Turn over for the next question

Turn over ▶



8 **Figure 3** shows the Hypertext Markup Language (HTML) for a web page.

**Figure 3**

```
<html>
  <head>
    <title>Computing</title>
    <style type="text/css">
      h2{
        }
    </style>
  </head>

  <!++++++++++++>
  <body>
    <h2>The examination structure</h2>
    <ol>
      <li>Comp1 - June</li>
      <li>Comp2 - January and June</li>
      <li>Comp3 - June</li>
      <li>Comp4 - <strong>Project</strong></li>
    </ol>
    <br />
    <a href="www.aqa.org.uk">More information</a>
  </body>
</html>
```





- 8 (a)** With reference to the contents of **Figure 3**, draw a diagram in the space below to show how this web page would appear on screen when viewed through a web browser. If necessary, use labels to make your diagram clear.

(5 marks)

- 8 (b)** Write the style rule for h2 that will put the heading in the centre and set its text colour to red.

```
h2 { .....  
.....  
}
```

(3 marks)

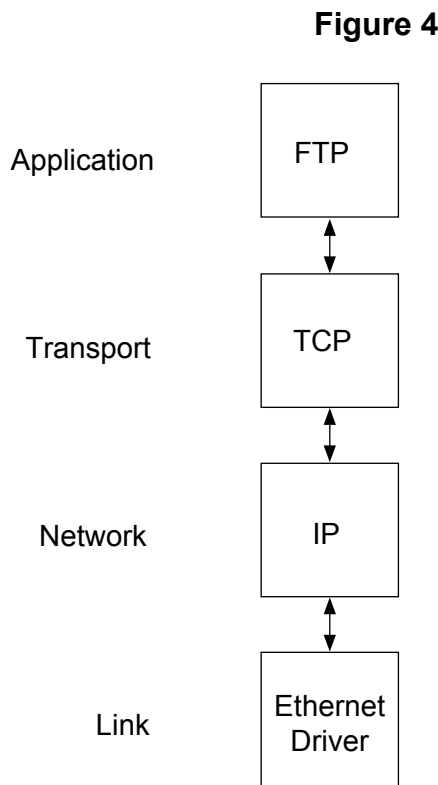
8

**Turn over for the next question**

**Turn over ▶**



9 Figure 4 shows the TCP/IP protocol stack as applied to a network.



9 (a) Describe **two** tasks that the transport layer performs.

1.....  
 .....  
 2.....  
 .....  
 (2 marks)

9 (b) FTP is an application layer protocol.  
Name another application layer protocol.

.....  
 (1 mark)

9 (c) A router is a vital component in the structure of the Internet.  
In which layer of the TCP/IP protocol stack does a router operate?

.....  
 (1 mark)

<b>4</b>



**10** To request a particular web page on the Internet a user will need to enter into the address bar of their web browser a Uniform Resource Locator (URL). This is in the form of:

`http://www.aqa.org.uk/courses/computing.html`

**10 (a)** The first part `http://` is the protocol.

Describe the following parts of this URL.

`aqa.org.uk`

.....

`courses/computing.html`

.....

(2 marks)

**10 (b)** What is a protocol?

.....

(1 mark)

**10 (c)** A requested page might be found locally on an intranet or it may be found on the Internet.

State **two** similarities between an intranet and the Internet.

1.....

.....

2.....

.....

(2 marks)

**10 (d)** 192.120.12.67 is a typical IP address.

Why do people prefer to use a Fully Qualified Domain Name (FQDN) rather than an IP address?

.....

.....

(1 mark)

6

Turn over ▶



